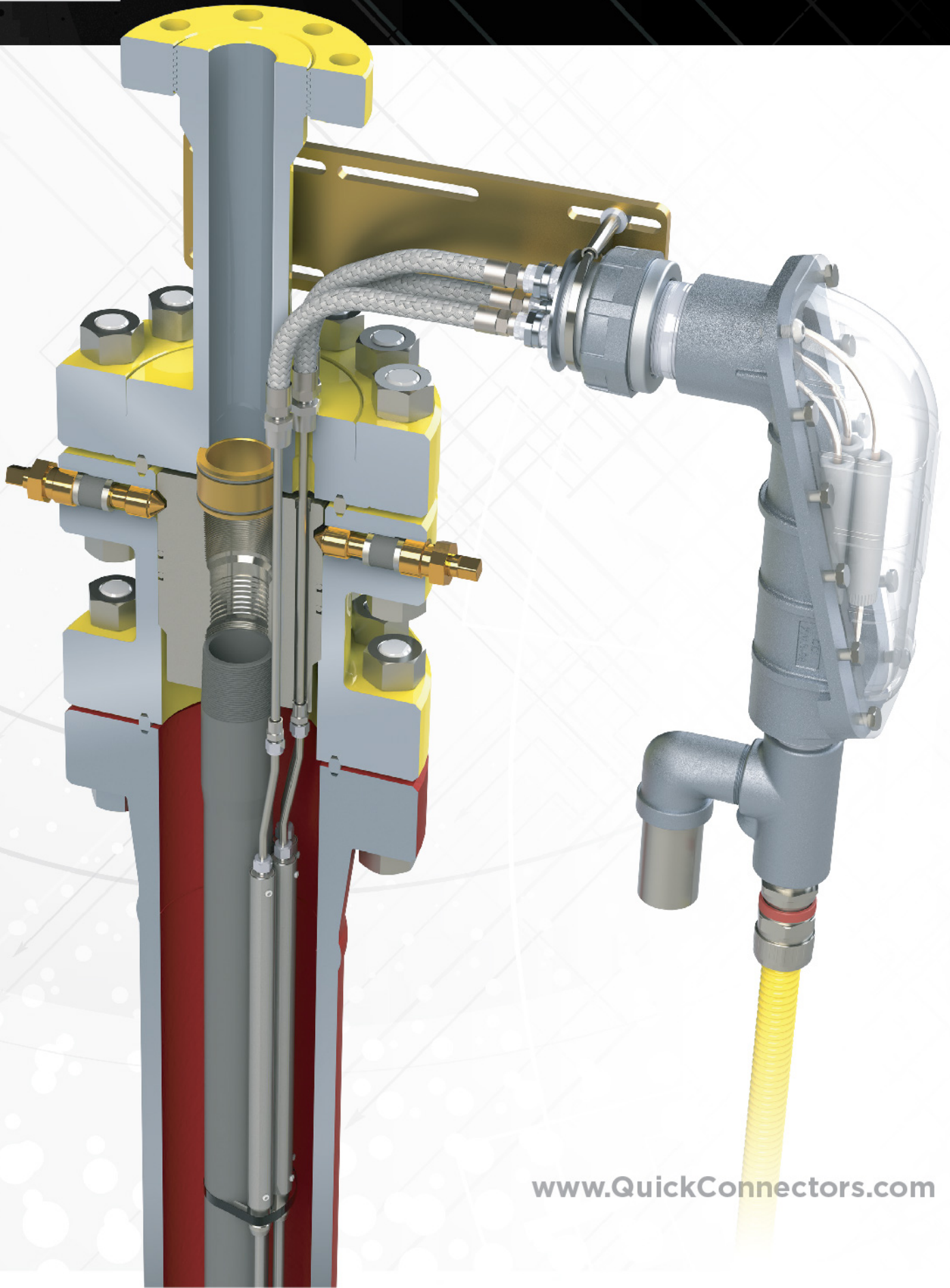


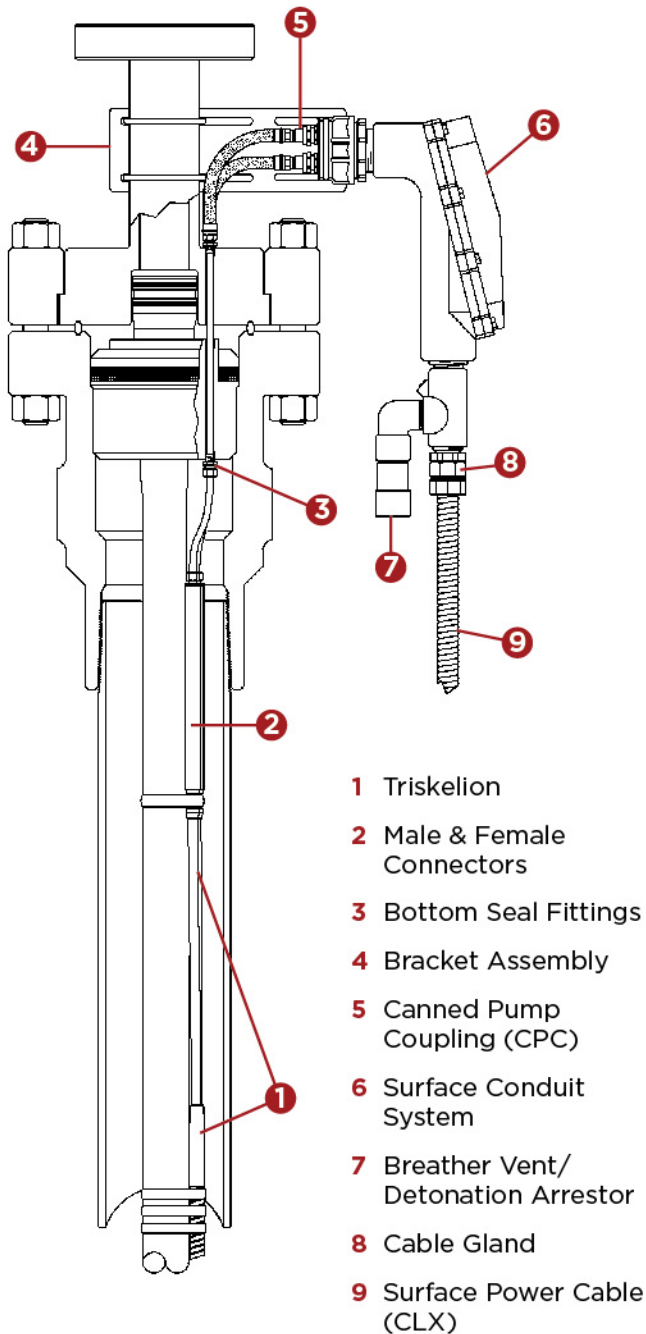


P5000-Model 1



www.QuickConnectors.com

P5000-MODEL 1



FEATURES/BENEFITS

- Eliminates cable splices in the wellbore
- Can retrofit to non-ESP wellheads
- Adaptable for concentric wellhead completions, and can be installed in small annular spaced wells
- Three flexible fittings with Swagelok connections seal off the penetrator above and below the tubing hanger
- Proven metal-to-metal seal
- Reusable surface conduit system suitable for hazardous locations
- UL listed surface cable (CLX) is terminated and sealed in the conduit system for required length to reach the motor control panel
- Permits the use of shielded and non-shielded cable

SPECIFICATIONS

- FM, FMc, IECEx Certified
- Voltage: 5000 VAC, 3 Phase
- Amperage: 150 Amp and 190 Amp versions available
- Pressure: 5,000 psi API WP (13,500 psi Proof Test)
- Temp: 375° F, 190° C
- Hazardous Area: Class I, Divisions 1 & 2, Group D



Quick Connectors, Inc.
5226 Brittmoore Rd
Houston, Texas 77041
Phone: 713.984.1800
Fax: 713.984.1079

www.quickconnectors.com



Covered by patent number 5,762,135 • Other patents pending