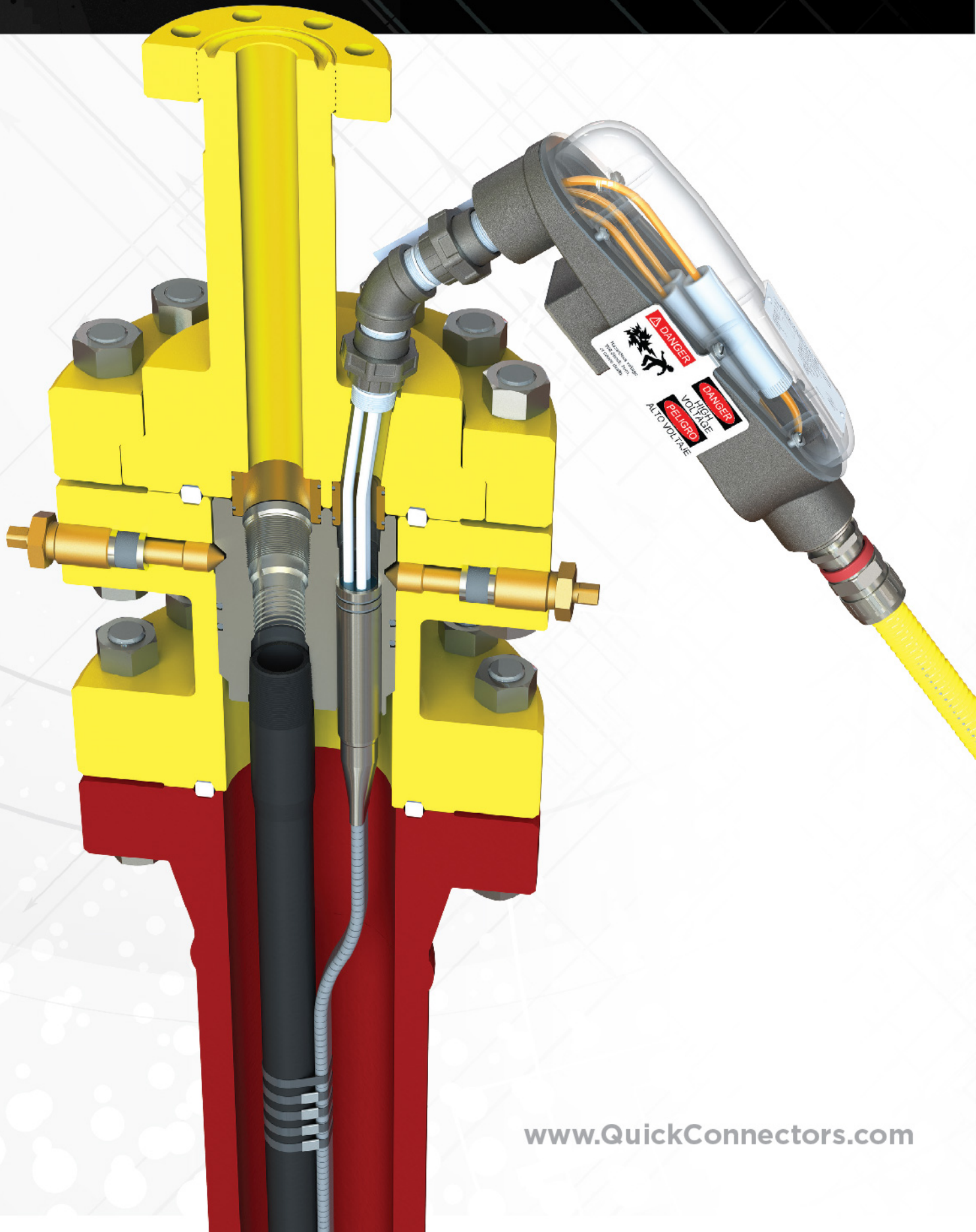


**QCI**

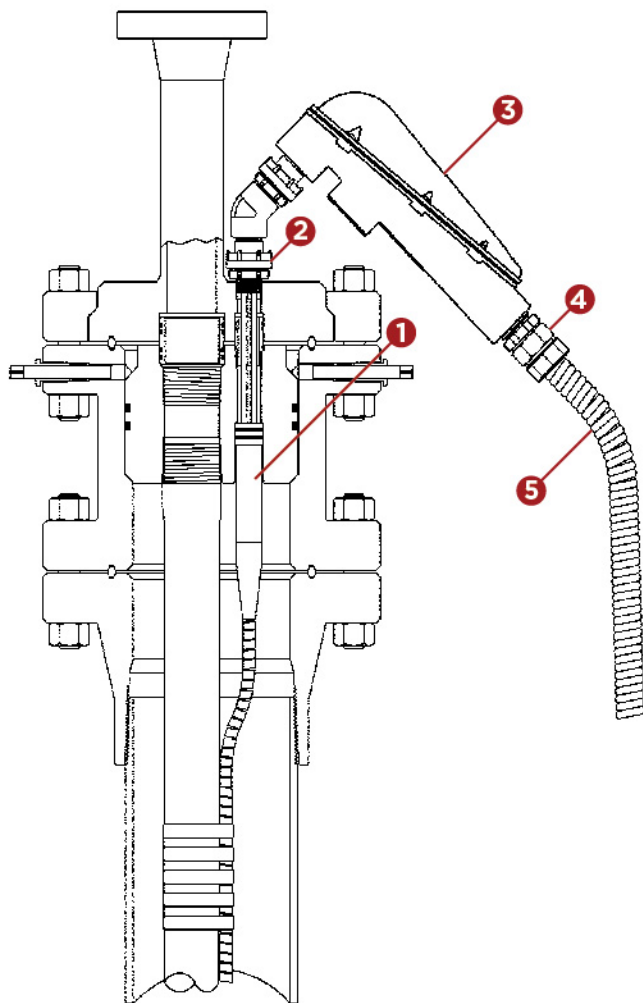
ESP WELLHEAD SOLUTIONS

# P3000-2F



[www.QuickConnectors.com](http://www.QuickConnectors.com)

# P3000-2F



- 1 P3000-2 Mini Mandrel
- 2 Canned Pump Coupling (CPC)
- 3 Surface Conduit System
- 4 Cable Gland
- 5 Surface Power Cable (CLX)



Quick Connectors, Inc.  
5226 Brittmoore Rd  
Houston, Texas 77041  
Phone: 713.984.1800  
Fax: 713.984.1079

[www.quickconnectors.com](http://www.quickconnectors.com)

## FEATURES/BENEFITS

- ESP cable runs continuous through wellhead, eliminating the need for a cable splice
- Designed to eliminate large mandrel type penetrators
- Available for flat or round cable
- Slim feed-thru design
- Elastomer seal
- Reusable surface conduit system suitable for hazardous locations
- UL listed surface cable (CLX) is terminated and sealed in the conduit system for required length to reach the power supply (Adaptable for customer supplied cable)
- Permits the use of shielded and non-shielded cable

## SPECIFICATIONS

- FM, FMc, IECEx Certified
- Voltage: Dependent on rating of ESP cable
- Amperage: Dependent on rating of ESP cable
- Pressure: 5,000 psi API WP (13,500 psi Proof Test)
- Temp: 375° F, 190° C
- Hazardous Area: Class I, Divisions 1 & 2, Group D



Covered by patent number 5,762,135 • Other patents pending